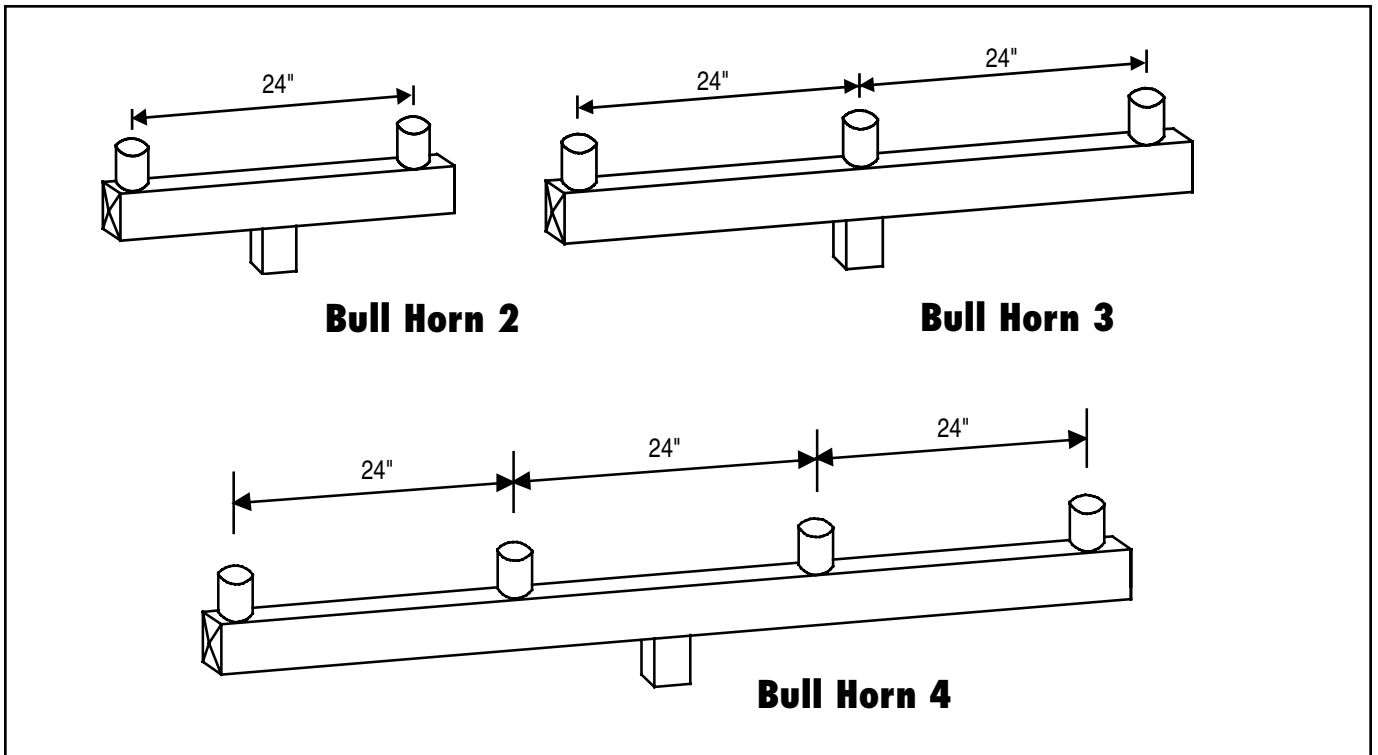


ACCESSORIES

BULL HORNS



BANNER ARMS

This state-of-the-art system is designed to withstand the elements. The base is made from rust free cast aluminum with fiberglass arms. The fiberglass arms will flex in strong winds, transferring some of the wind load off the banner.

- 1 Cast Aluminum Base *will not* rust.
- 1 Unique base design will fit square, round, or multi-sided poles.
- 1 Fiberglass arms for strength reduce wind load from banner.
- 1 A one degree cant has been engineered into the base to keep the banners tight.
- 1 Stainless Steel Bands make for easy installation.

Single Sets: 24", 30", and 36"
Double Sets: 24", 30", and 36"

Custom lengths available.
Call for a quote.

