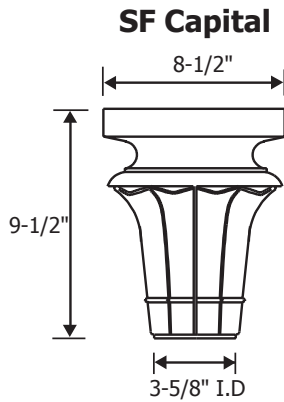
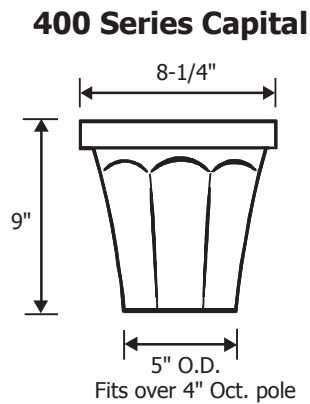
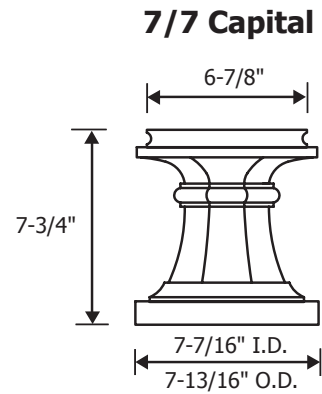
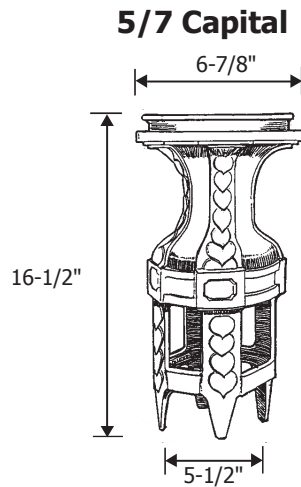
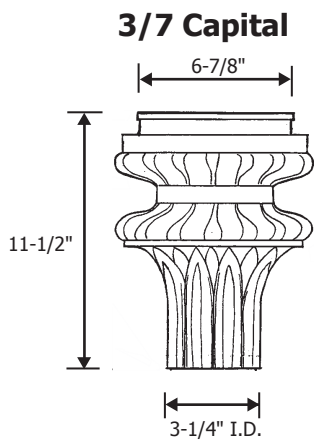


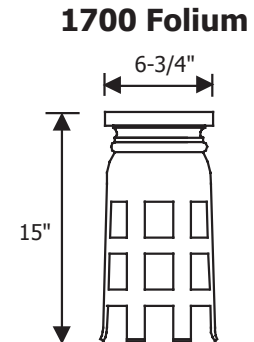
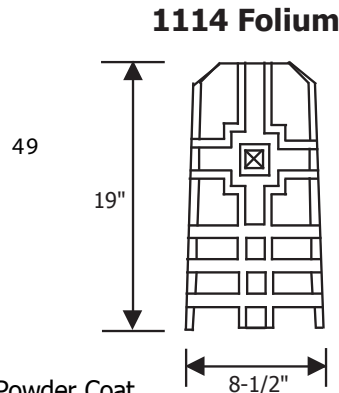
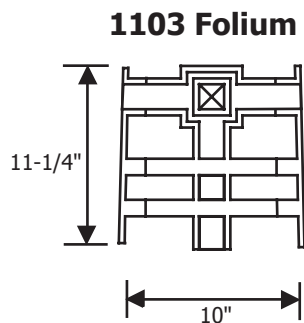


P.O. Box 157 • W142 N9110 Fountain Blvd.
 Menomonee Falls, WI 53052-0157
 (888) 719-7599 Toll-free • (262) 250-7599
 (262) 250-7598 Fax
 e-mail: info@concretepoles.com • www.concretepoles.com

Capitals



Folioms



Custom Cast Aluminum Folioms with Powder Coat

1103 Folium designed for 1103 Bollard

1114 Folium designed for 1114 Concrete Pole

1700 Folium designed for 1708 Concrete Pole