

Bollards



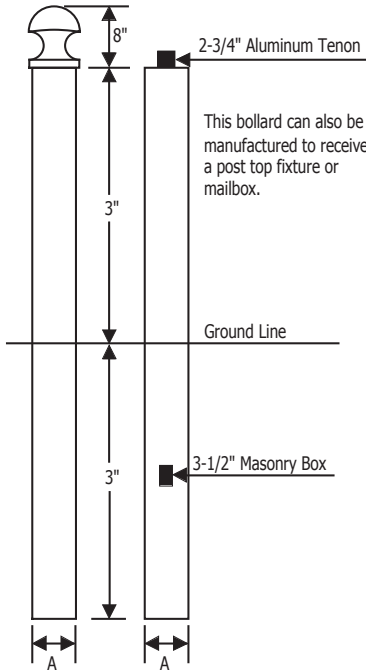
**TRADITIONAL
CONCRETE, INC.**

P.O. Box 157 • W142 N9110 Fountain Blvd.
Menomonee Falls, WI 53052-0157
(888) 719-7599 Toll-free • (262) 250-7599
(262) 250-7598 Fax
e-mail: info@concretepoles.com • www.concretepoles.com

Bollards are custom-made to suit your needs. Options may vary with the type of bollard series.

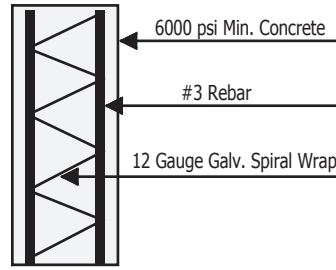
300 Series

Round

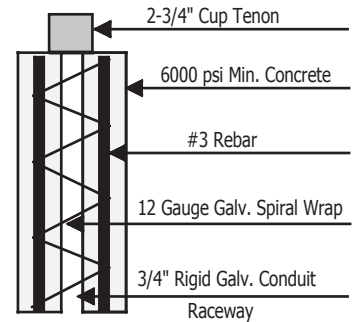


STRUCTURAL DETAIL

Option #1: Solid with Rebar



Option #2: Conduit Raceway For Lighting



Bollard Dimensions

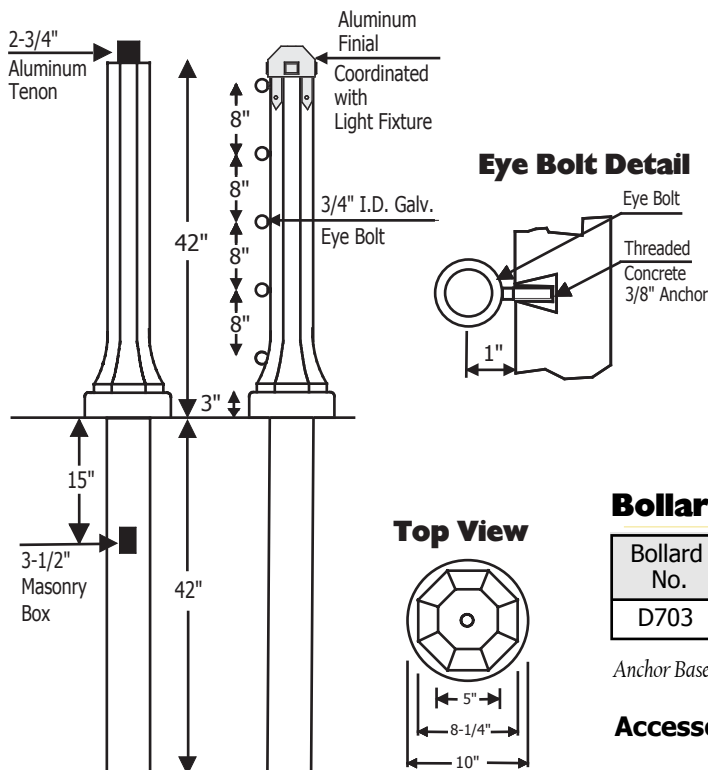
Bollard No.	Above Ground Height	Burial Depth	A Tip & Base Diameter	Est. Weight (lbs.)
D303-6	3'	3'	6"	175
D303-8	3'	3'	8"	175

Anchor Base Units may be available upon request. Also available as a Mailbox Post.

Accessories: Mushroom Top, Tenon, Threaded Insert

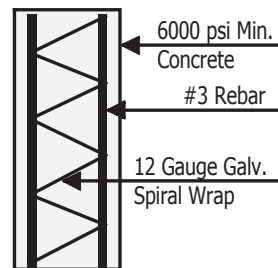
700 Series

Octagon

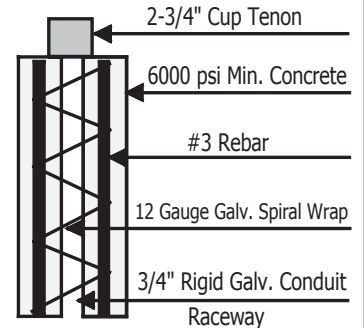


STRUCTURAL DETAIL

Option #1: Solid with Rebar



Option #2: Conduit Raceway for Lighting



Bollard Dimensions

Bollard No.	Above Ground Height	Burial Depth	Tip Diameter	Base Diameter	Est. Weight (lbs.)
D703	3' 6"	3' 6"	4-3/4"	10"	175

Anchor Base Units may be available upon request. Also available as a Mailbox Post.

Accessories: Folium, Tenon, Threaded Insert