

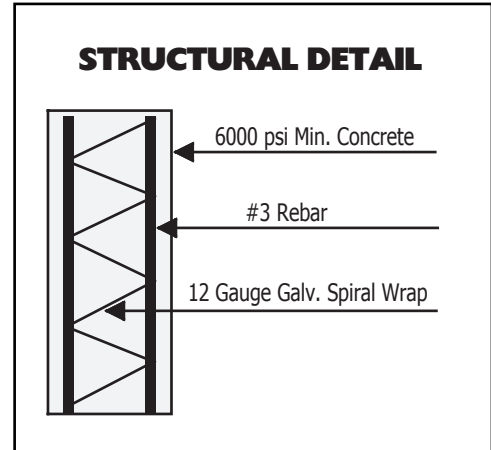
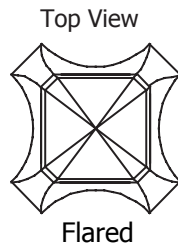
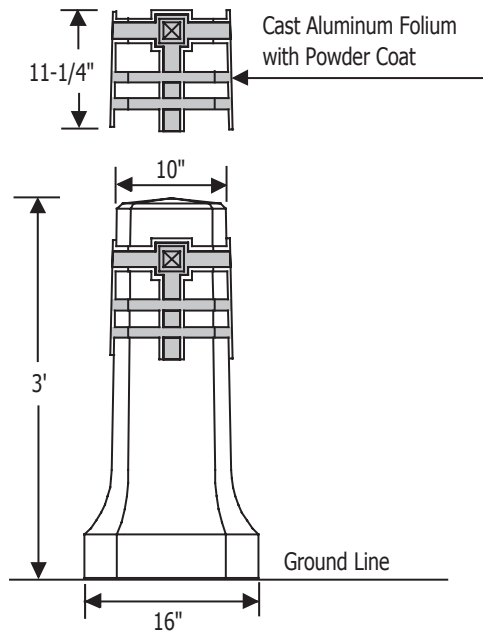
Bollards



P.O. Box 157 • W142 N9110 Fountain Blvd.
 Menomonee Falls, WI 53052-0157
 (888) 719-7599 Toll-free • (262) 250-7599
 (262) 250-7598 Fax
 e-mail: info@concretepoles.com • www.concretepoles.com

Bollards are custom-made to suit your needs. Options may vary with the type of bollard series.

I 100 Series



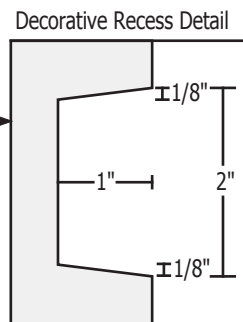
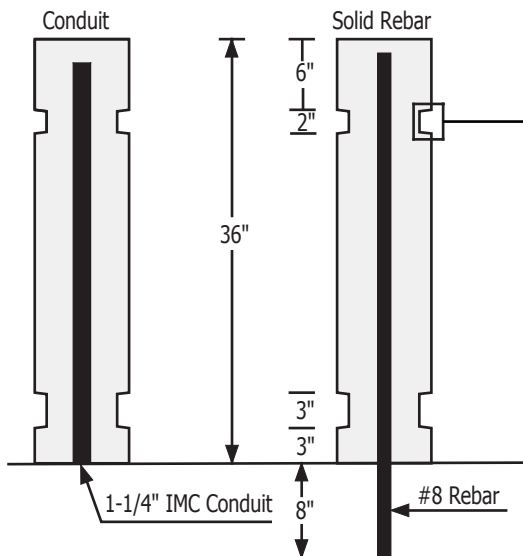
Bollard Dimensions

Bollard No.	Above Ground Height	Tip Diameter	Base Diameter	Est. Weight (lbs.)
A1103	3'	10"	16"	375

Accessories: Tenon, Threaded Insert

Harley

Two Styles of Mounting



Bollard Dimensions

Bollard No.	Above Ground Height	Tip Diameter	Base Diameter	Est. Weight (lbs.)
Harley	3'	8-1/4"	8-1/4"	125

Accessories: Tenon, Threaded Insert