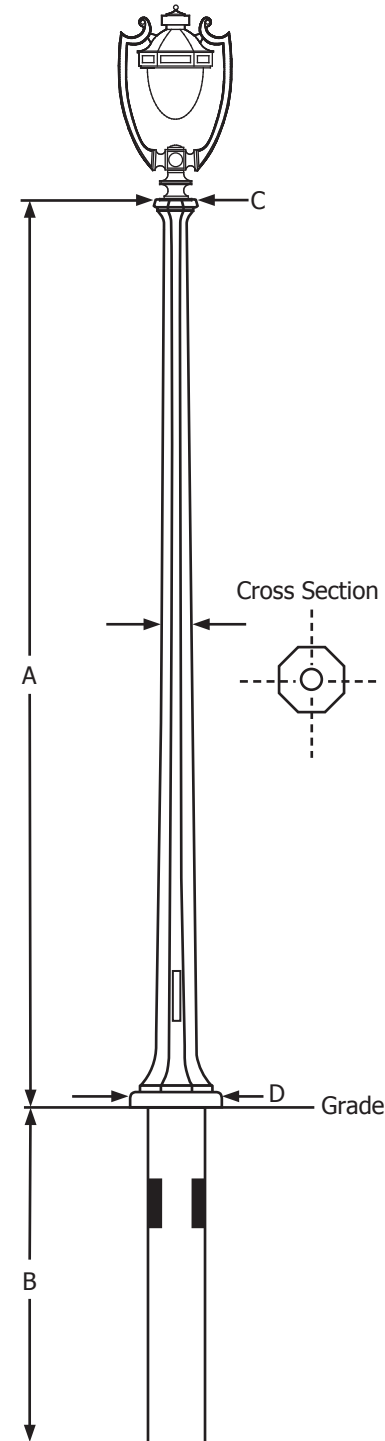
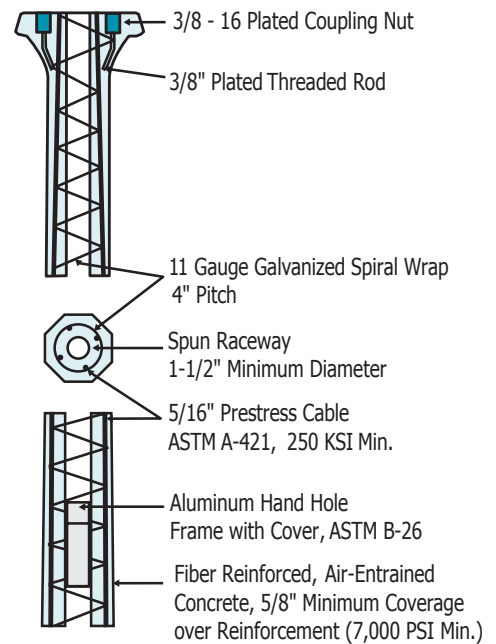


Spun octagon

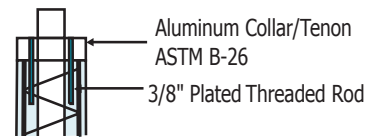


Typical Structural Detail

Tip for 710, 713, 715:



Tip for 712, 714, 720, 725:



Pole Dimensions

Pole No.	Above Ground Height (A)	Burial Depth (B)	Tip Diameter (C)	Base Diameter (D)	Est. Pole Weight (lbs.)
*A701	20"	----	2"	5-1/2"	10
D703	42"	42"	4-3/4"	10"	175
*D706	6'	3'	6"	10"	175
*D710	10'	4' 6"	8-1/2"	18"	850
D712	12'	4'	5-1/2"	18"	875
*D713	13'	4'	8-1/2"	18"	900
D714	14'	4' 6"	5-1/2"	18"	925
*D715	15'	4' 6"	8-1/2"	18"	950
D720	20'	5'	6"	18"	1,400
D725	25'	5'	5-1/2"	18"	1,575

Static, cast-in-place. * Pole has decorative flared top.
Anchor Base units available upon request. Standard bolt circle is 15".

Pole Code

Standard Code: **D715 - SG - EA - OT**

Mounting Type	Series + Height Above Ground	Color	Finish	Sealer	Options
(D) Direct Burial	701	(SG) Sky Gray	(E) Etched	(A) Acrylic	(B) Banner Arm
(A) Anchor Base	703	(MS) Midnight Sky Black	(M) Mold	(W) Waterseal	(C) Clamp-on Arm
	706	(CB) Charcoal Black		(G) Anti-Graffiti	(G) Ground Lug
	710	(SP) Salt & Pepper			(I) Threaded Insert
	712	(AW) Alpine White			(O) Outlet
	713	(TC) Terra Cotta			(T) Tenon
	714	(RG) Red Granite			
	715	(RR) Rustic Red			
	720	(SR) Sedona Red			
	725	(ER) Earthtone Red			
		(AR) Antique Red			
		(KG) Kelly Green			



P.O. Box 157 • W142 N9110 Fountain Blvd.
Menomonee Falls, WI 53052-0157
(888) 719-7599 Toll-free • (262) 250-7599
(262) 250-7598 Fax
e-mail: info@concretepoles.com • www.concretepoles.com