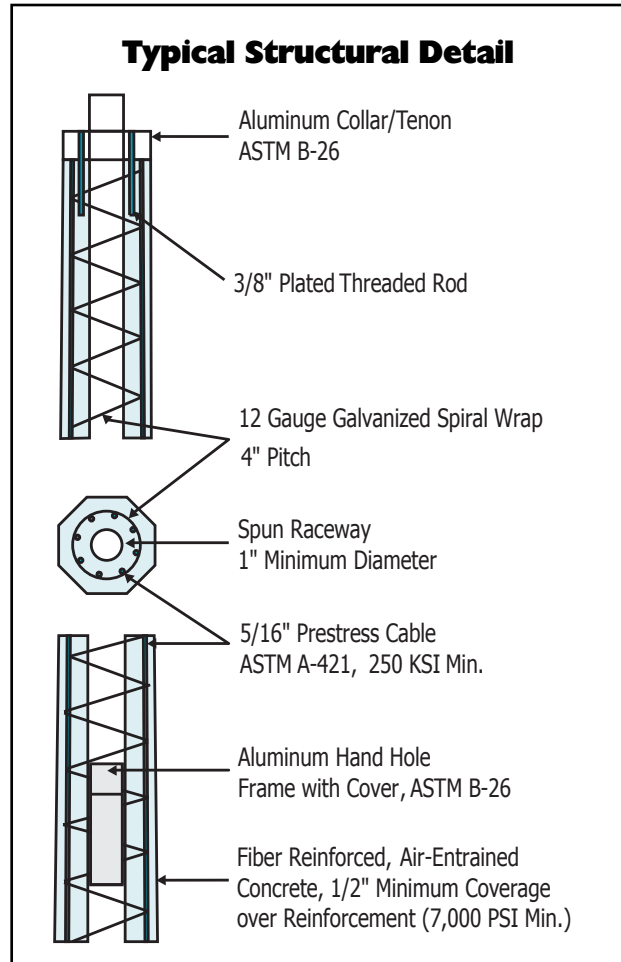
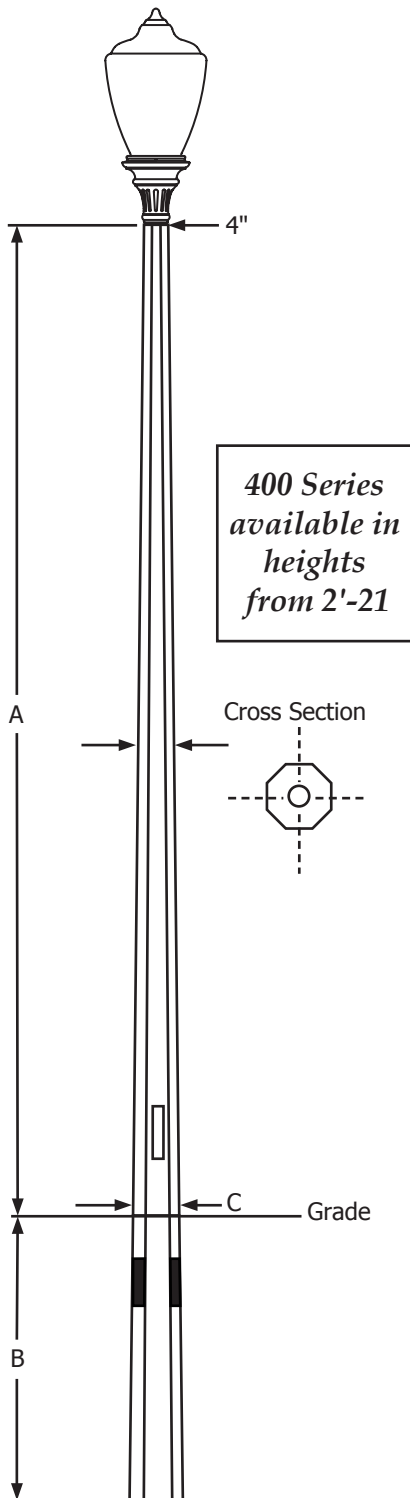


Spun straight-taper octagon, 1/8" taper per foot



Pole Dimensions

Pole No.	Above Ground Height (A)	Burial Depth (B)	Tip Diameter	Base Diameter (C)	Est. Pole Weight (lbs.)
D408	8'	4'	4"	5"	260
D410	10'	4'	4"	5-1/8"	300
D412	12'	4'	4"	5-1/2"	350
D414	14'	4'	4"	5-3/4"	400
D416	16'	5'	4"	6"	500

Anchor Base Units are available upon request. Standard bolt circle is 10".

Pole Code

Standard Code: **D414 - SG - PA - 3T**

Mounting Type	Series + Height Above Ground	Color	Finish	Sealer	Options
(D) Direct Burial	408	(SG) Sky Gray	(E) Etched	(A) Acrylic	(B) Banner Arm
(A) Anchor Base	410	(MS) Midnight Sky Black	(P) Polished	(W) Waterseal	(H) Bull Horn
	412	(CB) Charcoal Black	(M) Mold	(G) Anti-Graffiti	(I) Threaded Insert
	414	(SP) Salt & Pepper			(T) Tenon
	416	(AW) Alpine White			
		(TC) Terra Cotta			
		(RG) Red Granite			
		(RR) Rustic Red			
		(SR) Sedona Red			
		(ER) Earthtone Red			
		(AR) Antique Red			
		(KG) Kelly Green			



P.O. Box 157 • W142 N9110 Fountain Blvd.
 Menomonee Falls, WI 53052-0157
 (888) 719-7599 Toll-free • (262) 250-7599
 (262) 250-7598 Fax
 e-mail: info@concretepoles.com • www.concretepoles.com