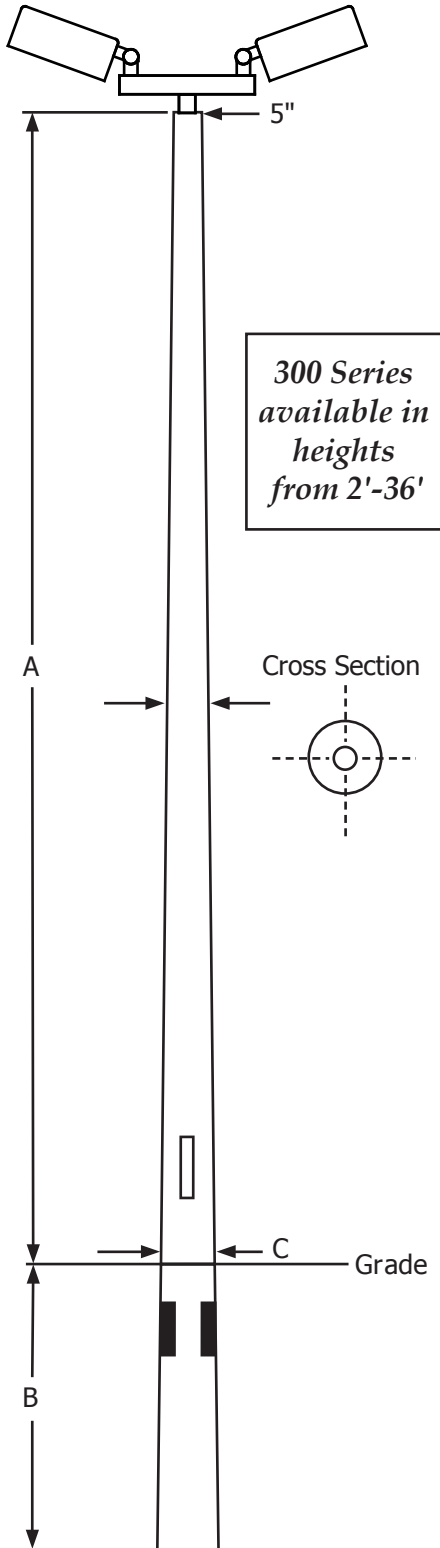
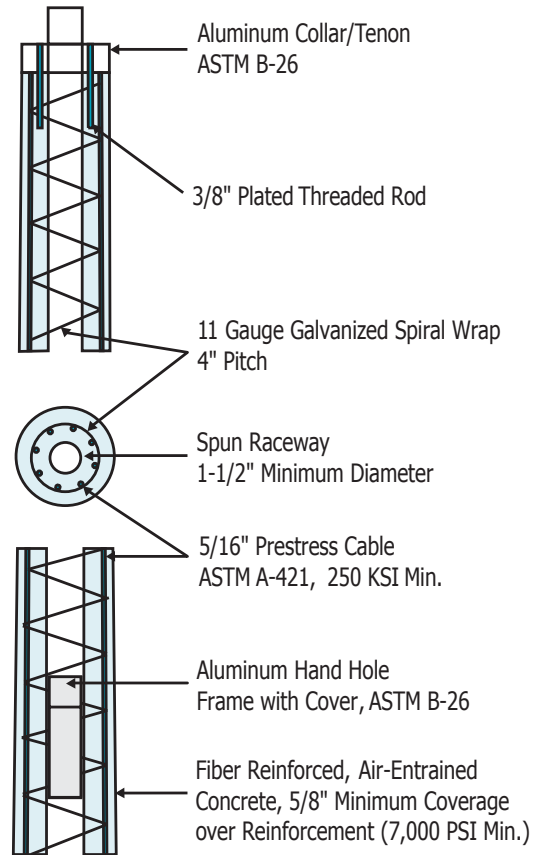


Spun round, 1/8" taper per foot



Typical Structural Detail



Pole Dimensions

Pole No.	Above Ground Height (A)	Burial Depth (B)	Tip Diameter	Base Diameter (C)	Est. Pole Weight (lbs.)
D313	13'	5'	5"	6-5/8"	550
D315	15'	5'	5"	6-7/8"	600
D320	20'	5'	5"	7-1/2"	750
D323	23'	5'	5"	7-7/8"	825
D325	25'	5'	5"	8-1/8"	900
D330	30'	6'	5"	8-3/4"	1,000

Anchor Base units may be available upon request.

Anchor Base tip diameters may vary.

Pole Code

Standard Code: **D330 - SG - EA - 3T**

Mounting Type	Series + Height Above Ground	Color	Finish	Sealer	Options
(D) Direct Burial	313	(SG) Sky Gray	(E) Etched	(A) Acrylic	(B) Banner Arm
(A) Anchor Base	315	(MS) Midnight Sky Black	(M) Mold	(W) Waterseal	(C) Clamp-on Arm
	320	(CB) Charcoal Black		(G) Anti-Graffiti	(F) Finial
	323	(SP) Salt & Pepper			(G) Ground Lug
	325	(AW) Alpine White			(H) Bull Horn
	330	(TC) Terra Cotta			(I) Threaded Insert
		(RG) Red Granite			(O) Outlet
		(RR) Rustic Red			(P) Photo Cell
		(SR) Sedona Red			(T) Tenon
		(ER) Earthtone Red			
		(AR) Antique Red			
		(KG) Kelly Green			



P.O. Box 157 • W142 N9110 Fountain Blvd.
Menomonee Falls, WI 53052-0157
(888) 719-7599 Toll-free • (262) 250-7599
(262) 250-7598 Fax
e-mail: info@concretepoles.com • www.concretepoles.com