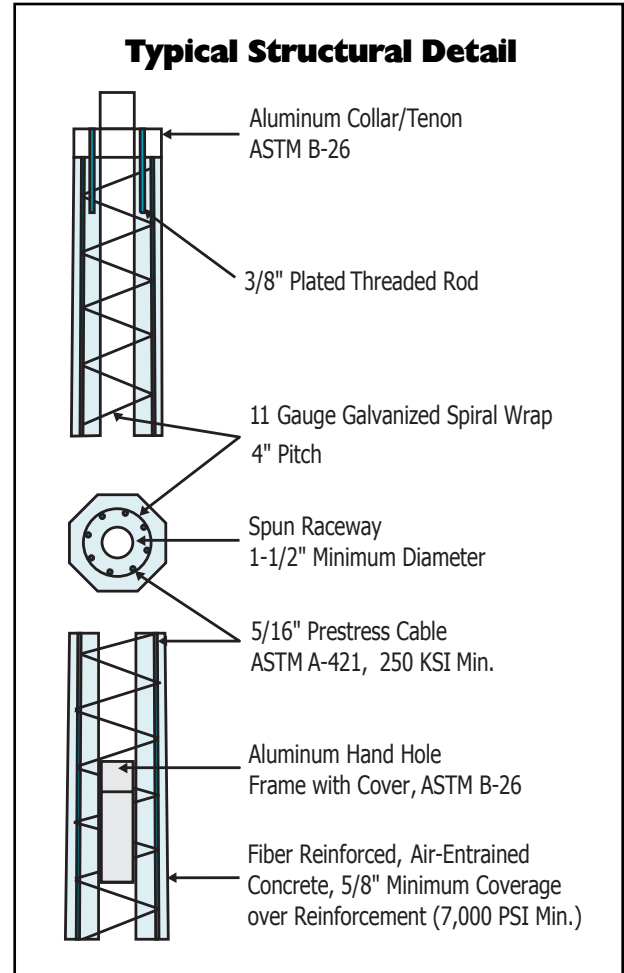
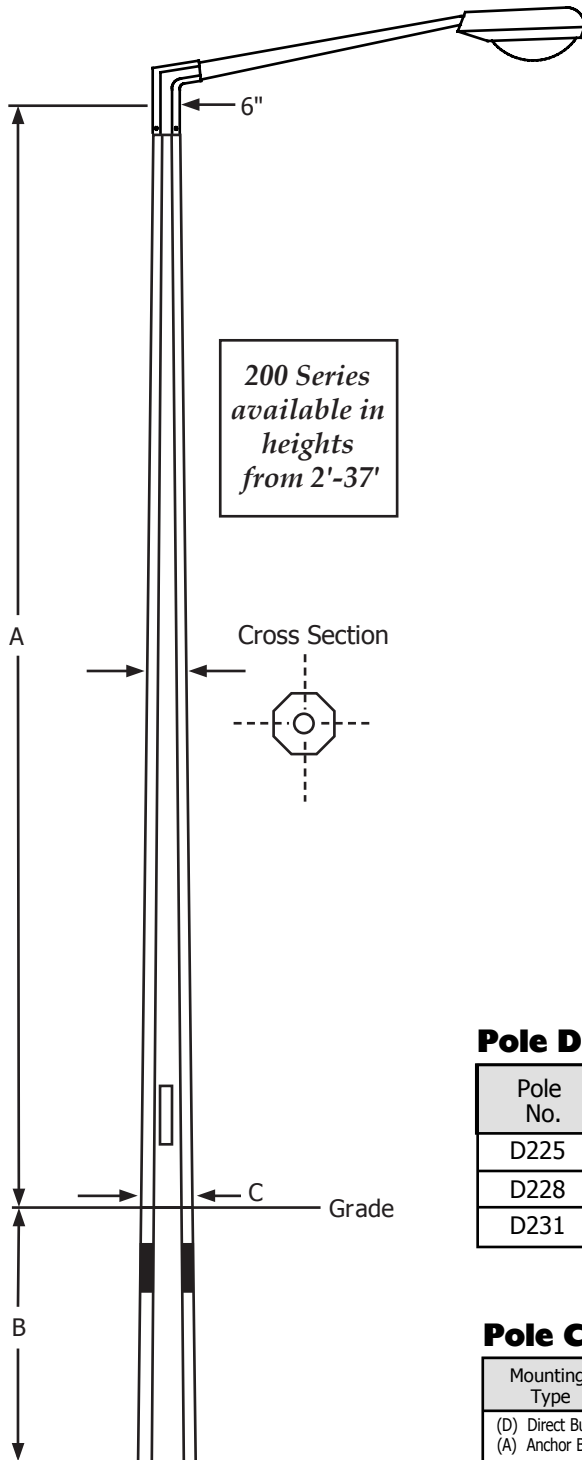


# Skyliner II **200 Series**

Spun straight-taper octagon, 1/8" taper per foot



### Pole Dimensions

Pole No.	Above Ground Height (A)	Burial Depth (B)	Tip Diameter	Base Diameter (C)	Est. Pole Weight (lbs.)
D225	25'	6'	6"	9-1/8"	1,375
D228	28'	6'	6"	9-1/2"	1,600
D231	31'	6'	6"	9-7/8"	1,900

### Pole Code

Standard Code: **D231 - SG - PA - D**

Mounting Type	Series + Height Above Ground	Color	Finish	Sealer	Options
(D) Direct Burial	225	(SG) Sky Gray	(E) Etched	(A) Acrylic	(B) Banner Arm
(A) Anchor Base	228	(MS) Midnight Sky Black	(P) Polished	(W) Waterseal	(C) Clamp-on Arm
	231	(CB) Charcoal Black	(M) Mold	(G) Anti-Graffiti	(D) Davit Arm
		(SP) Salt & Pepper			(F) Finial
		(AW) Alpine White			(G) Ground Lug
		(TC) Terra Cotta			(H) Bull Horn
		(RG) Red Granite			(I) Threaded Insert
		(RR) Rustic Red			(O) Outlet
		(SR) Sedona Red			(P) Photo Cell
		(ER) Earthtone Red			(T) Tenon
		(AR) Antique Red			
		(KG) Kelly Green			



P.O. Box 157 • W142 N9110 Fountain Blvd.  
Menomonee Falls, WI 53052-0157  
(888) 719-7599 Toll-free • (262) 250-7599  
(262) 250-7598 Fax  
e-mail: info@concretepoles.com • www.concretepoles.com