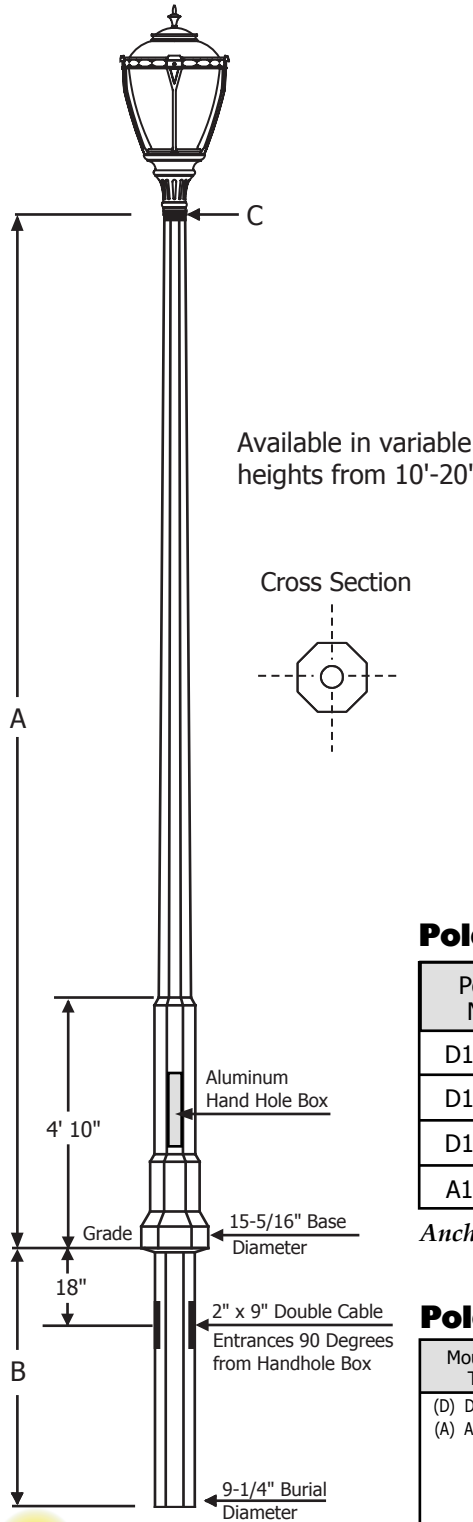


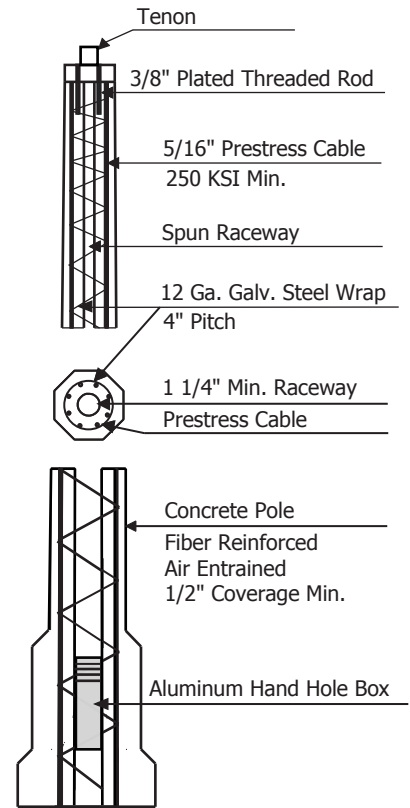
Delphia

Spun Octagon

I 900 Series



Typical Structural Detail



Pole Dimensions

Pole No.	Above Ground Height (A)	Burial Depth (B)	Tip Diameter (C)	Base Diameter	Est. Pole Weight (lbs.)
D1913	13'	4-1/2'	6"	15-5/16"	1,000
D1916	16'	5'	5-3/8"	15-5/16"	1,100
D1920	20'	5'	4-3/4"	15-5/16"	1,200
A1920	20'	----	4-3/4"	15-5/16"	1,000

Anchor Base units are available upon request. Standard bolt circle is 25".

Pole Code

Standard Code: **D1920 - SG - EA - 3T**

Mounting Type	Series + Height Above Ground	Color	Finish	Sealer	Options
(D) Direct Burial (A) Anchor Base	1913 1916 1920	(SG) Sky Gray (MS) Midnight Sky Black (CB) Charcoal Black (SP) Salt & Pepper (AW) Alpine White (TC) Terra Cotta (RG) Red Granite (RR) Rustic Red (SR) Sedona Red (ER) Earthtone Red (AR) Antique Red (KG) Kelly Green	(E) Etched (M) Mold	(A) Acrylic (W) Waterseal (G) Anti-Graffiti	(B) Banner Arm (C) Clamp-on Arm (F) Finial Cap (G) Ground Lug (I) Threaded Insert (O) Outlet (P) Photocell (T) Tenon



P.O. Box 157 • W142 N9110 Fountain Blvd.
Menomonee Falls, WI 53052-0157
(888) 719-7599 Toll-free • (262) 250-7599
(262) 250-7598 Fax
e-mail: info@concretepoles.com • www.concretepoles.com