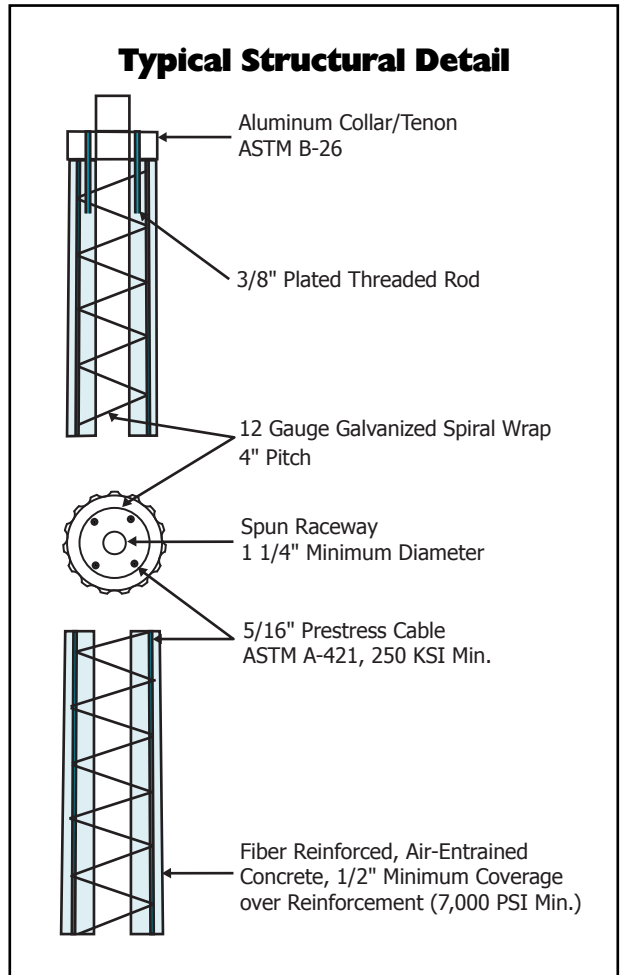
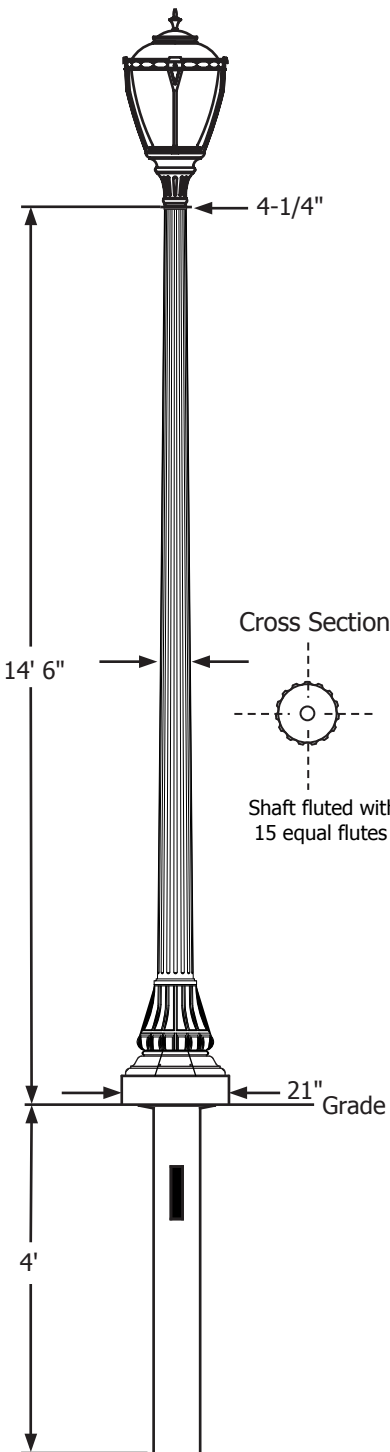


Washington II

I 800 Series

Spun Decorative, 15 Flutes



Pole Dimensions

Pole No.	Above Ground Height	Burial Depth	Tip Diameter	Base Diameter	Est. Pole Weight (lbs.)
D1815	14' 6"	4'	4-1/4"	21"	1,100
A1815	14' 6"	----	4-1/4"	21"	850

Anchor Base units are available upon request. Standard bolt circle is 25".

Pole Code

Standard Code: **D1815 - SG - EA - 3T**

Mounting Type	Series + Height Above Ground	Color	Finish	Sealer	Options
(D) Direct Burial (A) Anchor Base	1815	(SG) Sky Gray (MS) Midnight Sky Black (CB) Charcoal Black (SP) Salt & Pepper (AW) Alpine White (TC) Terra Cotta (RG) Red Granite (RR) Rustic Red (SR) Sedona Red (ER) Earthtone Red (AR) Antique Red (KG) Kelly Green	(E) Etched (M) Mold	(A) Acrylic (W) Waterseal (G) Anti-Graffiti	(B) Banner Arm (I) Threaded Insert (O) Outlet (T) Tenon



P.O. Box 157 • W142 N9110 Fountain Blvd.
Menomonee Falls, WI 53052-0157
(888) 719-7599 Toll-free • (262) 250-7599
(262) 250-7598 Fax
e-mail: info@concretepoles.com • www.concretepoles.com