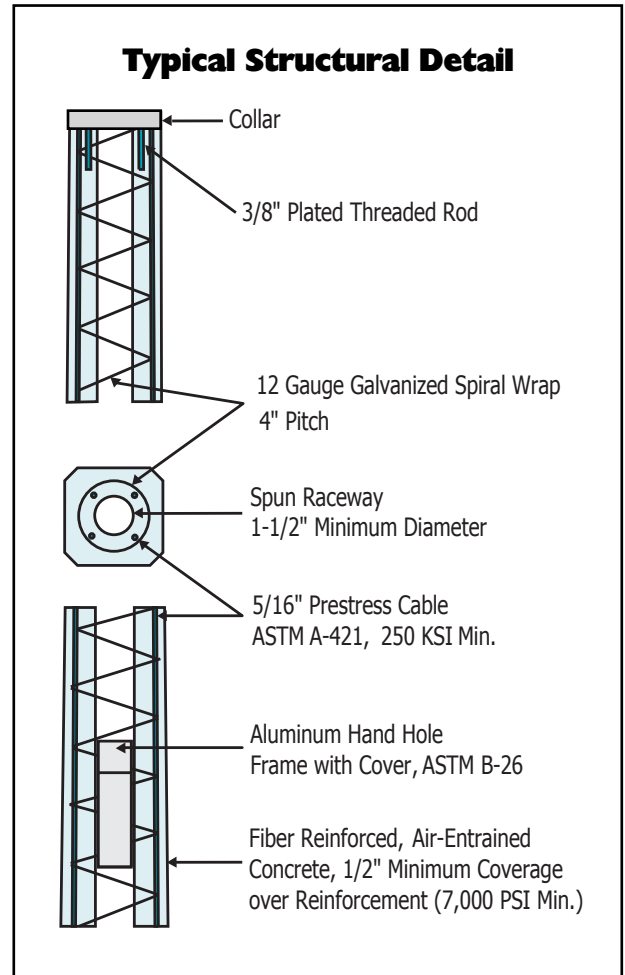
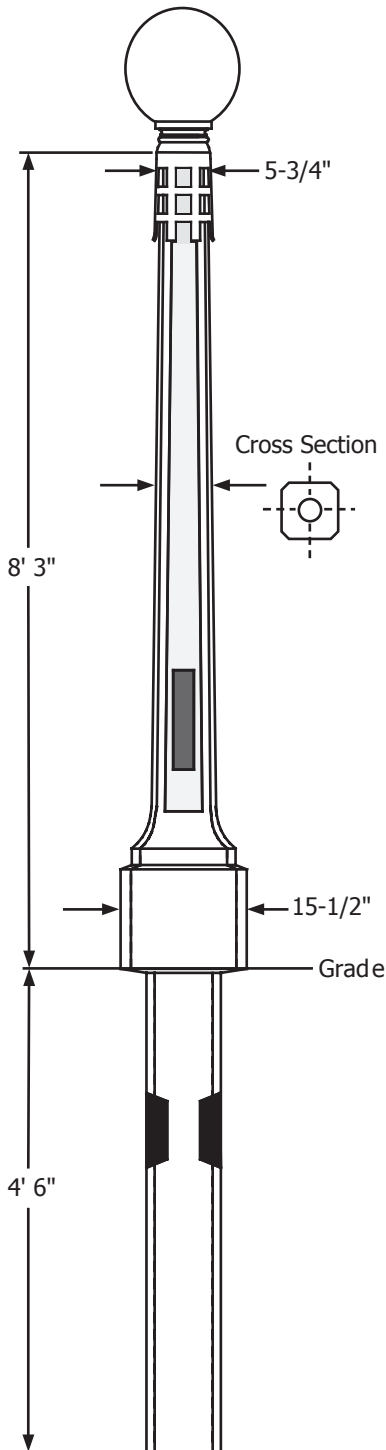


Spun Decorative Square



Pole Dimensions

Pole No.	Above Ground Height	Burial Depth	Tip Diameter	Base Diameter	Est. Pole Weight (lbs.)
D1708	8' 3"	4' 6"	5-3/4"	15-1/2"	900

Anchor Base units are available upon request. Standard bolt circle is 12".

Pole Code

Standard Code: **D1708 - SG - E2A - L**

Mounting Type	Series + Height Above Ground	Color	Finish	Sealer	Options
(D) Direct Burial (A) Anchor Base	1708	(SG) Sky Gray (MS) Midnight Sky Black (CB) Charcoal Black (SP) Salt & Pepper (AW) Alpine White (TC) Terra Cotta (RG) Red Granite (RR) Rustic Red (SR) Sedona Red (ER) Earthtone Red (AR) Antique Red (KG) Kelly Green	(E) Etched (M) Mold (E2) 2-tone Etch	(A) Acrylic (W) Waterseal (G) Anti-Graffiti	(B) Banner Arm (F) Finial Cap (I) Threaded Insert (L) Folium (O) Outlet (T) Tenon

