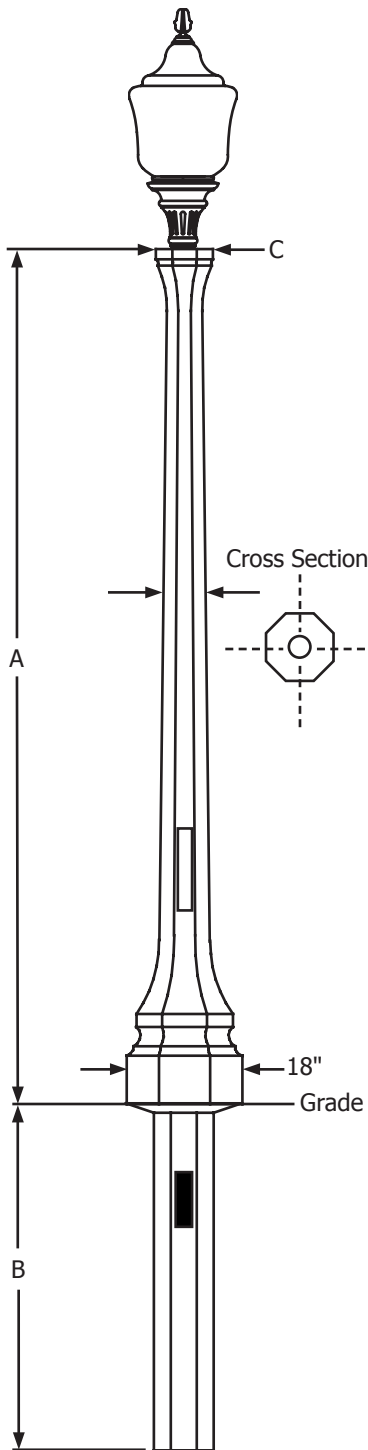


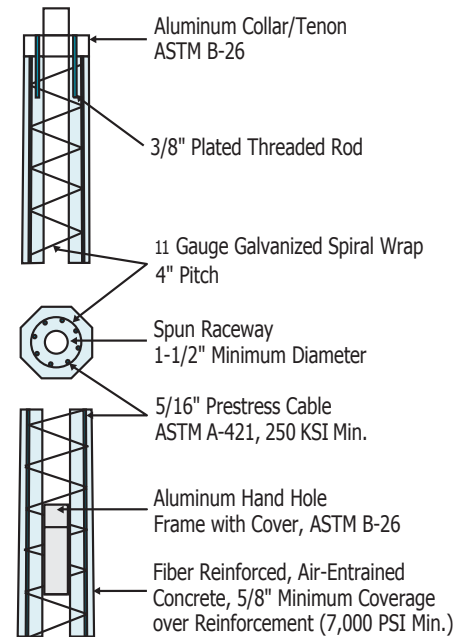
Menomonee **I 600 Series**

Spun Octagon

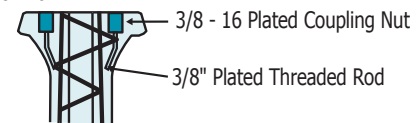


Typical Structural Detail

Tip for 1609, 1610, 1615, 1620, 1625:



Tip for 1611:



Pole Dimensions

Pole No.	Above Ground Height (A)	Burial Depth (B)	Tip Diameter (C)	Base Diameter	Est. Pole Weight (lbs.)
D1609	9'	4' 4"	5-3/4"	18"	820
D1610	10'	4' 4"	5-3/8"	18"	850
* D1611	11'	4' 4"	9"	18"	900
D1615	15'	5'	6"	18"	1,100
D1620	20'	5'	5-3/8"	18"	1,275
D1625	25'	5'	4-3/4"	18"	1,400

* Decorative flare tip.

Anchor Base units may be available upon request. Standard bolt circle is 15".

Pole Code

Standard Code: **D1611 - SG - EA - 3T**

Mounting Type	Series + Height Above Ground	Color	Finish	Sealer	Options
(D) Direct Burial	1609	(SG) Sky Gray	(E) Etched	(A) Acrylic	(B) Banner Arm
(A) Anchor Base	1610	(MS) Midnight Sky Black	(M) Mold	(W) Waterseal	(C) Clamp-on Arm
	1611	(CB) Charcoal Black		(G) Anti-Graffiti	(D) Davit Arm
	1615	(SP) Salt & Pepper			(F) Finial
	1620	(AW) Alpine White			(G) Ground Lug
	1625	(TC) Terra Cotta			(I) Threaded Insert
		(RG) Red Granite			(O) Outlet
		(RR) Rustic Red			(P) Photo Cell
		(SR) Sedona Red			(T) Tenon
		(ER) Earthtone Red			
		(AR) Antique Red			
		(KG) Kelly Green			



P.O. Box 157 • W142 N9110 Fountain Blvd.
Menomonee Falls, WI 53052-0157
(888) 719-7599 Toll-free • (262) 250-7599
(262) 250-7598 Fax
e-mail: info@concretepoles.com • www.concretepoles.com