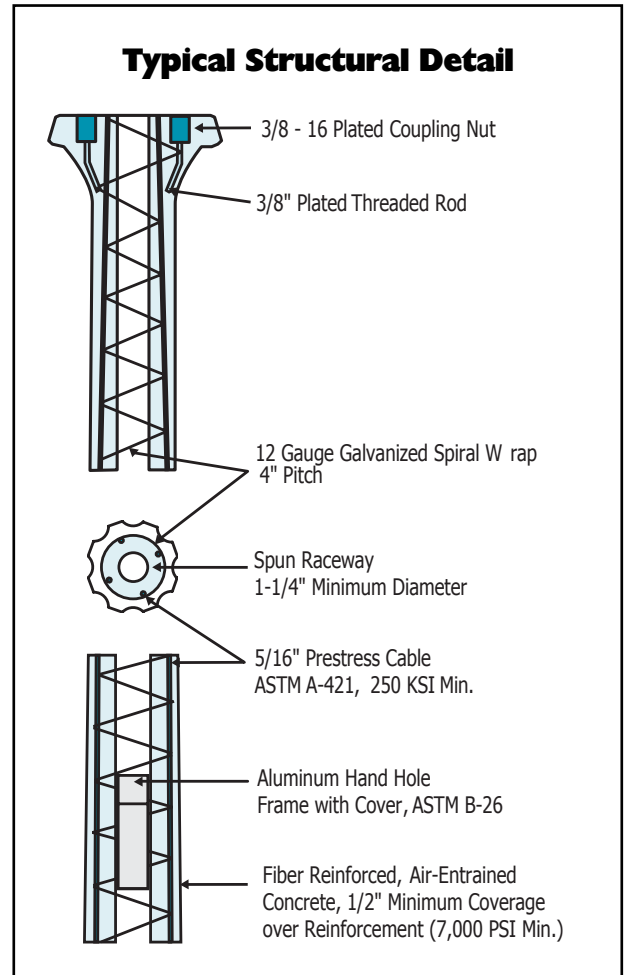
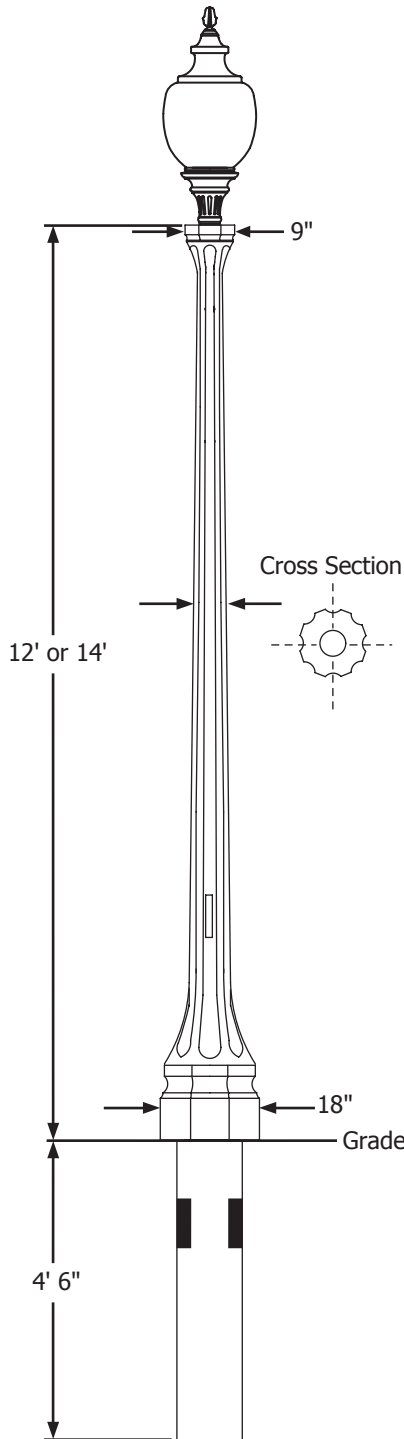


Spun Decorative, 8 Flutes



### Pole Dimensions

Pole No.	Above Ground Height	Burial Depth	Tip Diameter	Base Diameter	Est. Pole Weight (lbs.)
D1412*	12'	4' 6"	9"	18"	950
D1414	14'	4' 6"	9"	18"	975

\* No flare tip.

Anchor Base units are available upon request. Standard bolt circle is 15".

### Pole Code

Standard Code: **D1414 - SG - EA - T**

Mounting Type	Series + Height Above Ground	Color	Finish	Sealer	Options
(D) Direct Burial (A) Anchor Base	1412 1414	(SG) Sky Gray (MS) Midnight Sky Black (CB) Charcoal Black (SP) Salt & Pepper (AW) Alpine White (TC) Terra Cotta (RG) Red Granite (RR) Rustic Red (SR) Sedona Red (ER) Earthtone Red (AR) Antique Red (KG) Kelly Green	(E) Etched (M) Mold	(A) Acrylic (W) Waterseal (G) Anti-Graffiti	(B) Banner Arm (G) Ground Lug (I) Threaded Insert (O) Outlet (P) Photo Cell (T) Tenon



P.O. Box 157 • W142 N9110 Fountain Blvd.  
Menomonee Falls, WI 53052-0157  
(888) 719-7599 Toll-free • (262) 250-7599  
(262) 250-7598 Fax  
e-mail: info@concretepoles.com • www.concretepoles.com