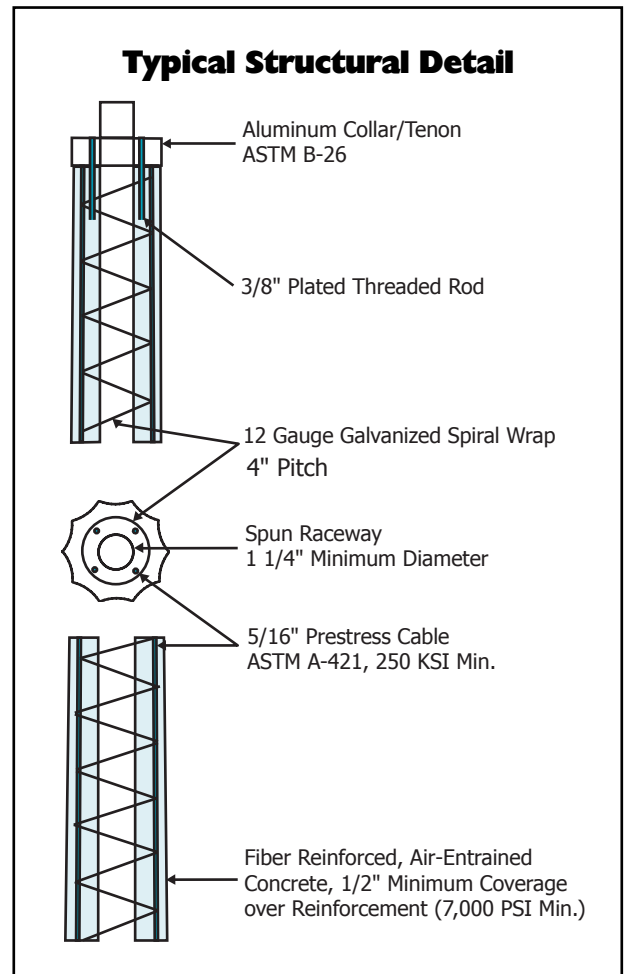
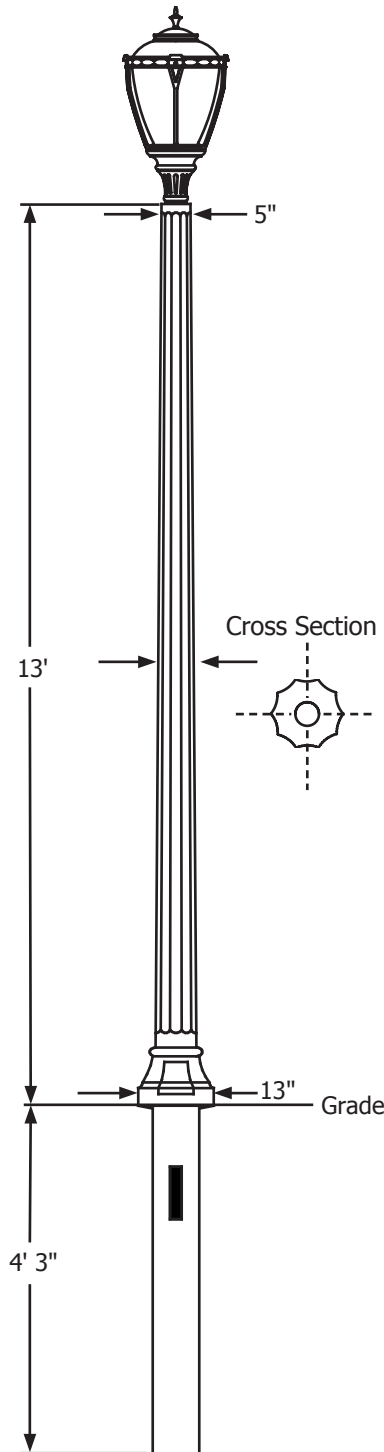


Spun Decorative, 10 Flutes



Pole Dimensions

Pole No.	Above Ground Height	Burial Depth	Tip Diameter	Base Diameter	Est. Pole Weight (lbs.)
D1213	13'	4' 3"	5"	13"	750

Anchor Base units are available upon request.

Pole Code

Standard Code: **D1213 - SG - EA - 3T**

Mounting Type	Series + Height Above Ground	Color	Finish	Sealer	Options
(D) Direct Burial	1213	(SG) Sky Gray (MS) Midnight Sky Black (CB) Charcoal Black (SP) Salt & Pepper (AW) Alpine White (TC) Terra Cotta (RG) Red Granite (RR) Rustic Red (SR) Sedona Red (ER) Earthtone Red (AR) Antique Red (KG) Kelly Green	(E) Etched	(A) Acrylic (W) Waterseal (G) Anti-Graffiti	(B) Banner Arm (F) Finial (I) Threaded Insert (O) Outlet (T) Tenon



P.O. Box 157 • W142 N9110 Fountain Blvd.
Menomonee Falls, WI 53052-0157
(888) 719-7599 Toll-free • (262) 250-7599
(262) 250-7598 Fax
e-mail: info@concretepoles.com • www.concretepoles.com