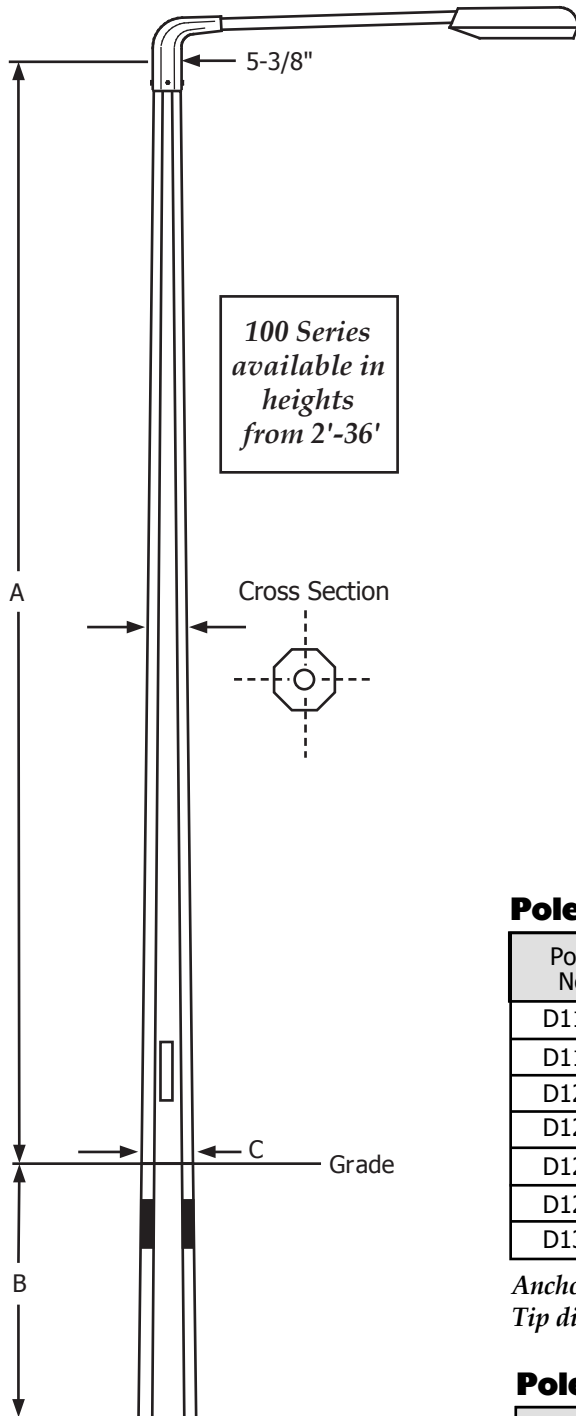
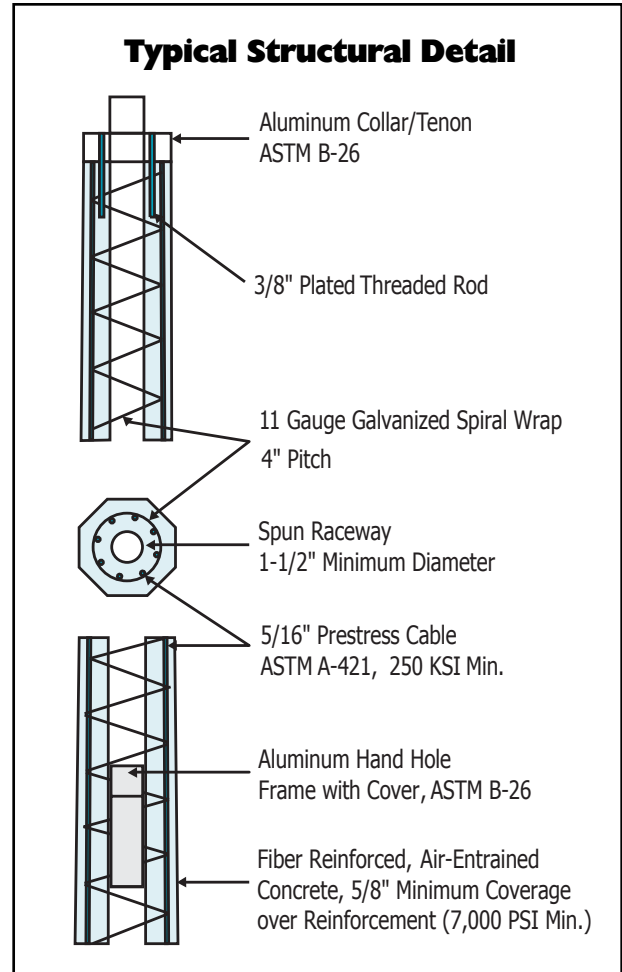
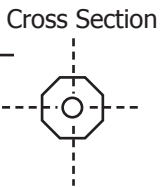


Spun straight-taper octagon, 1/8" taper per foot



100 Series  
available in  
heights  
from 2'-36'



### Pole Dimensions

Pole No.	Above Ground Height (A)	Burial Depth (B)	Tip Diameter	Base Diameter (C)	Est. Pole Weight (lbs.)
D112	12'	5'	5-3/8"	6-7/8"	600
D118	18'	5'	5-3/8"	7-5/8"	800
D121	21'	5'	5-3/8"	8"	900
D123	23'	5'	5-3/8"	8-1/4"	1,050
D125	25'	5'	5-3/8"	8-1/2"	1,200
D128	28'	5'	5-3/8"	8-7/8"	1,400
D130	30'	6'	5-3/8"	9-1/8"	1,450

Anchor Base units are available upon request. Standard bolt circle is 12".  
Tip diameters may vary for bolt downs.

### Pole Code

Standard Code: **D123 - SG - PA - D**

Mounting Type	Series + Height Above Ground	Color	Finish	Sealer	Options
(D) Direct Burial	112	(SG) Sky Gray	(E) Etched	(A) Acrylic	(B) Banner Arm
(A) Anchor Base	118	(MS) Midnight Sky Black	(P) Polished	(W) Waterseal	(C) Clamp-on Arm
	121	(CB) Charcoal Black	(M) Mold	(G) Anti-Graffiti	(D) Davit Arm
	123	(SP) Salt & Pepper			(F) Finial
	125	(AW) Alpine White			(G) Ground Lug
	128	(TC) Terra Cotta			(H) Bull Horn
	130	(RG) Red Granite			(I) Threaded Insert
		(RR) Rustic Red			(O) Outlet
		(SR) Sedona Red			(P) Photo Cell
		(ER) Earthtone Red			(T) Tenon
		(AR) Antique Red			
		(KG) Kelly Green			



P.O. Box 157 • W142 N9110 Fountain Blvd.  
Menomonee Falls, WI 53052-0157  
(888) 719-7599 Toll-free • (262) 250-7599  
(262) 250-7598 Fax  
e-mail: info@concretepoles.com • www.concretepoles.com