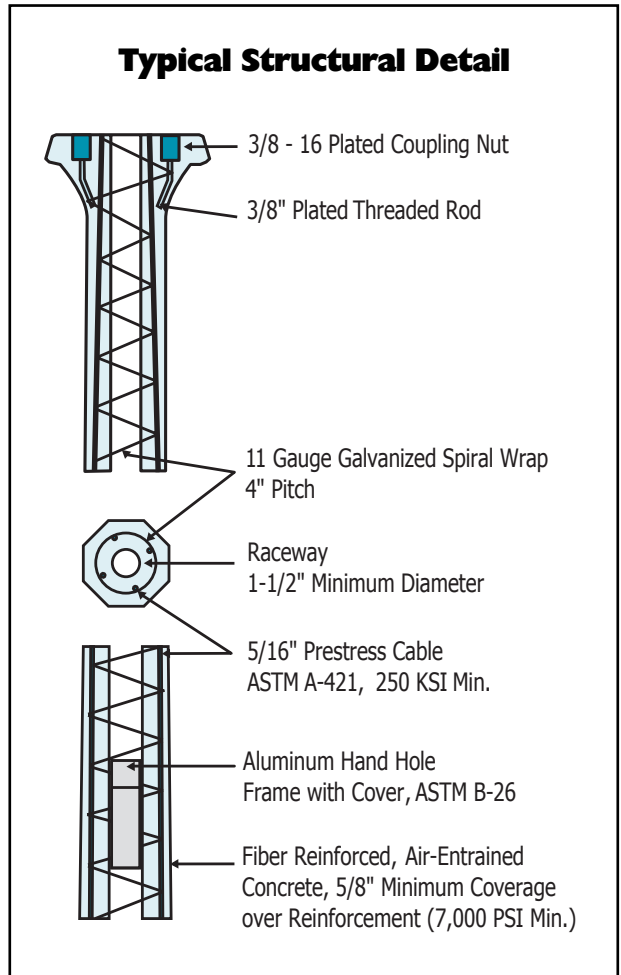
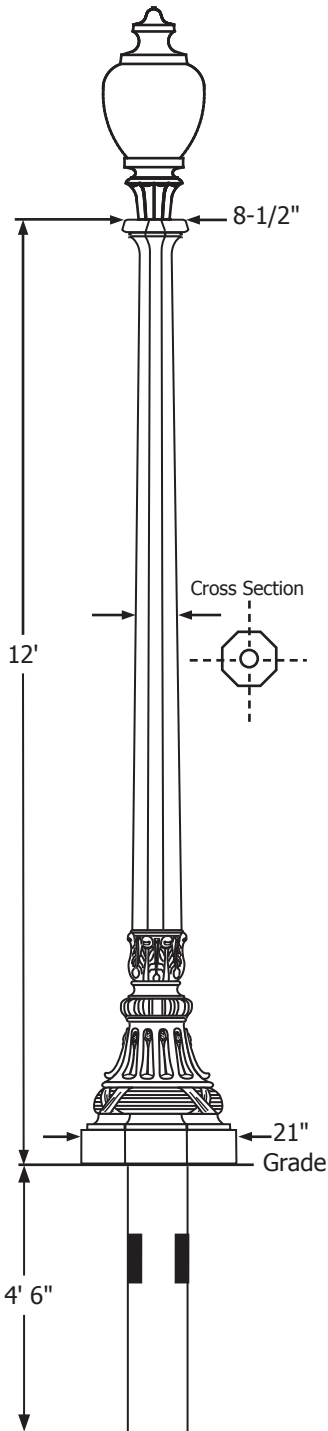


Spun decorative octagon



Pole Dimensions

| Pole No. | Above Ground Height | Burial Depth | Tip Diameter | Base Diameter | Est. Pole Weight (lbs.) |
|----------|---------------------|--------------|--------------|---------------|-------------------------|
| A1012 | 12' | ---- | 8-1/2" | 21" | 750 |
| D1012 | 12' | 4' 6" | 8-1/2" | 21" | 1,250 |

Anchor Base units are available upon request. Standard bolt circle is 18".

Pole Code

Standard Code: **A1012 - SG - MA - 3T**

| Mounting Type | Series + Height Above Ground | Color | Finish | Sealer | Options |
|--------------------------------------|------------------------------|--|------------------------|--|--|
| (D) Direct Burial (A) Anchor Base | 1012 1012 | (SG) Sky Gray (MS) Midnight Sky Black (CB) Charcoal Black (SP) Salt & Pepper (AW) Alpine White (TC) Terra Cotta (RG) Red Granite (RR) Rustic Red (SR) Sedona Red (ER) Earthtone Red (AR) Antique Red (KG) Kelly Green | (E) Etched (M) Mold | (A) Acrylic (W) Waterseal (G) Anti-Graffiti (P) Painted | (B) Banner Arm (C) Clamp-on Arm (G) Ground Lug (I) Threaded Insert (O) Outlet (T) Tenon |



P.O. Box 157 • W142 N9110 Fountain Blvd.
Menomonee Falls, WI 53052-0157
(888) 719-7599 Toll-free • (262) 250-7599
(262) 250-7598 Fax
e-mail: info@concretepoles.com • www.concretepoles.com